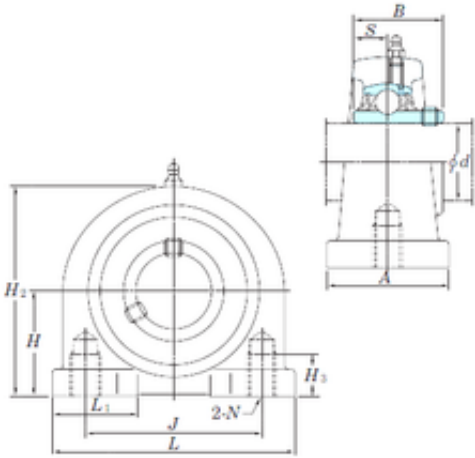




# Bearing Rolamentos do Brasil Ltda.

## KOYO UCPA208-25 bearing units

Bearing No. UCPA208-25



UCPA208-25 Bearing 2D drawings and 3D CAD models

Bore Diameter	39,6875 mm
Width	49,2 mm
d	39,6875 mm
H3	20 mm
A	58 mm
B	49,2 mm
H	49,2 mm
H2	100 mm
J	84 mm
L	116 mm
L1	41 mm
S	19 mm
Bolt (G)	M14 × 2
Weight	2 Kg
Basic dynamic load rating (C)	29,1 kN
Basic static load rating (C0)	17,8 kN