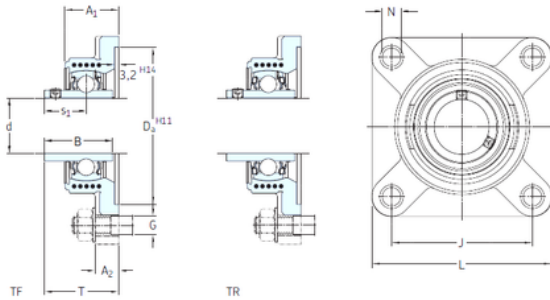




Bearing Rolamentos do Brasil Ltda.



SKF FYK 20 TR bearing units

Bearing No. FYK 20 TR

Bore Diameter	20 mm
d	20 mm
Da	68,3 mm
s1	18,3 mm
A1	30 mm
B	31 mm
G	10 mm
J	63,5 mm
L	86 mm
N	12 mm
T	37,3 mm
A2	15 mm
Weight	0,26 Kg
Basic dynamic load rating (C)	12,7 kN
Basic static load rating (C0)	6,55 kN
Fatigue load limit (Pu)	0,28
Category	Flange Block Bearings
Inventory	0.0
Manufacturer Name	SKF
Minimum Buy Quantity	N/A
Weight / Kilogram	0.26
EAN	7316570561029
Product Group	M06110
Number of Mounting Holes	4
Mounting Method	Set Screw
Housing Style	4 Bolt Square Flange Block

FYK 20 TR Bearing 2D drawings and 3D CAD models



Bearing Rolamentos do Brasil Ltda.

Rolling Element	Ball Bearing
Housing Material	Composite
Expansion / Non-expansion	Non-expansion
Mounting Bolts	10 Millimeter
Relubricatable	Yes
Insert Part Number	YAR 204-2RF
Seals	Multi Function Seal
Housing Configuration	1 Piece Solid
Pilot Configuration	No Pilot
Inch - Metric	Metric
Long Description	4 Bolt Square Flange Block; 20MM Bore; 90MM Bolt Circle; 63.5MM Bolt Spacing; 1 Piece Solid; Set Screw Mount; Composite; Ball Bearing; 31MM Length Thru Bore; Relubricatable; Multi Function Seal Seals
Other Features	Single Row Y Tech Housing Stainless Steel Insert
Category	Flange Block
UNSPSC	31171501
Harmonized Tariff Code	8483.20.40.40
Noun	Bearing
Keyword String	Flanged
Manufacturer URL	http://www.skf.com
Manufacturer Item Number	FYK 20 TR
Weight / LBS	0.573
Bolt Spacing	2.5 Inch 63.5 Millimeter
Cartridge Pilot Diameter	0 Inch 0 Millimeter
Length Thru Bore	1.22 Inch 31 Millimeter
Nominal Bolt Circle Diameter Round	3.5 Inch 90 Millimeter
Bore	0.787 Inch 20 Millimeter



Bearing Rolamentos do Brasil Ltda.

Cartridge Pilot Depth	0 Inch 0 Millimeter
Housing material	Composite
D_a	68.3 mm
D_b	59 mm
A	30 mm
A_1	15 mm
A_3	3.2 mm
A_5	18.5 mm
s_1	18.3 mm
Basic dynamic load rating C	12.7 kN
Basic static load rating C_0	6.55 kN
Fatigue load limit P_u	0.28 kN
Limiting speed	5000 r/min
Mass bearing unit	0.26 kg
Thread grub screw G_2	M6x0.75
Hexagonal key size for grub screw N	3 mm
Recommended tightening torque for grub screw	4 N · m
Recommended diameter for attachment bolts, mm G	10 mm
Recommended diameter for attachment bolts, inch G	0.375 in
Housing	FYK 504
Bearing	YAR 204-2RF
End cover	ECY 204