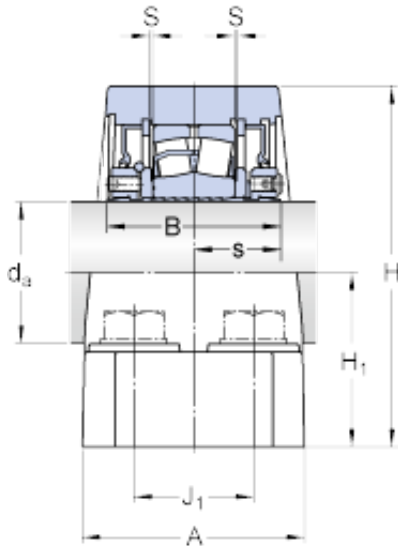




Bearing Rolamentos do Brasil Ltda.



FSYE 4 N Bearing 2D drawings and 3D CAD models

SKF FSYE 4 N bearing units

Bearing No. FSYE 4 N

Size	101.6x114.3x80.169 mm
Bore Diameter	101,6 mm
Outer Diameter	114,3 mm
Width	80,169 mm
d_a	101.6 mm
A	114.3 mm
B	80.169 mm
H	217.488 mm
H_1	107.95 mm
H_2	61.912 mm
L	387.35 mm
J - max.	333.375 mm
J - min.	304.8 mm
J_1	57.15 mm
s	38.497 mm
S	0.794 mm
Basic dynamic load rating - C	426 kN
Limiting speed	2100 r/min
d_a	101.6 mm
H_1	107.95 mm
H_2	61.913 mm
J max.	333.375 mm
J min.	304.8 mm
J_1	57.15 mm
Basic dynamic load rating C	426 kN



Bearing Rolamentos do Brasil Ltda.

Mass bearing unit	22.5 kg
Attachment bolt diameter G	19.05 mm